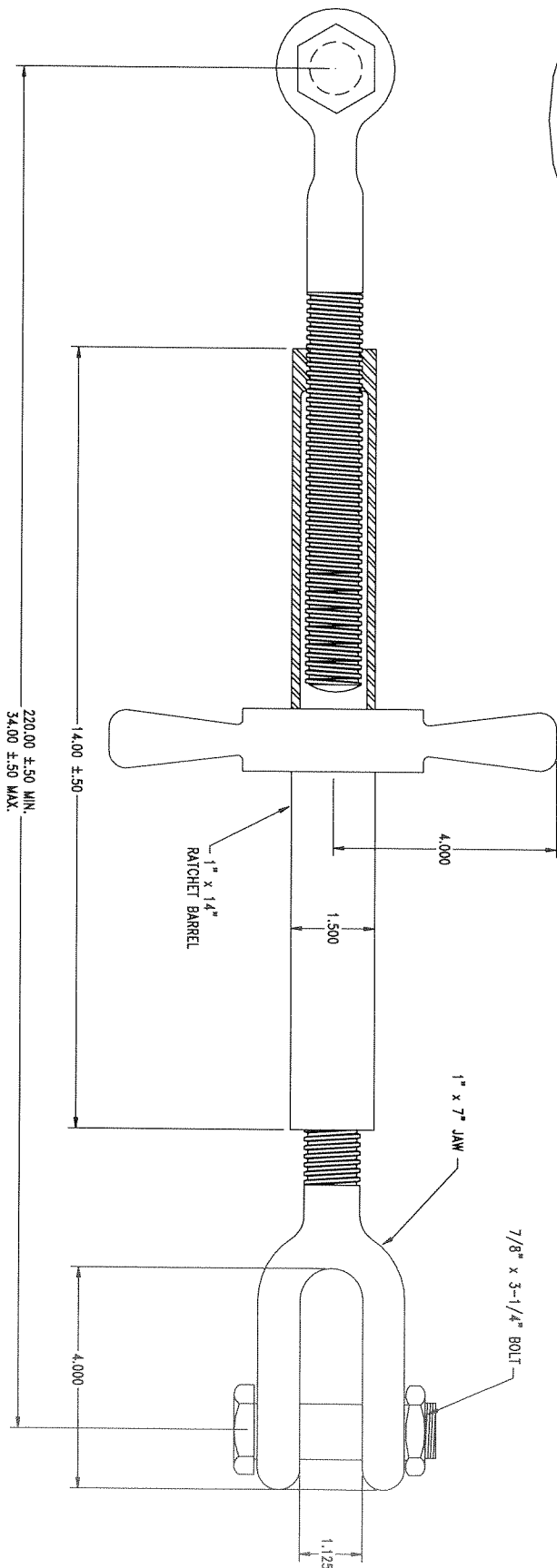


1" x 8" DIA.
HAND WHEEL



1" x 14"
RATCHET BARREL

1" x 7" JAW

7/8" x 3-1/4" BOLT

NOTES:

- (1) 7° DRAFT UNLESS OTHERWISE SPECIFIED.
- (2) BLEND SURFACES WHERE RADII ARE NOT NOTED.
- (3) ALL FILETS AND RADII TO BE .062 EXCEPT AS NOTED.
- (4) ADD SHRINK.
- (5) UNLESS OTHERWISE SPECIFIED ALL DIMENSIONAL TOLERANCES ± .062

REV	DESCRIPTION	DATE	DRAWN	APPR.	APPR.
A	ORIGINAL DRAFT	8/17/05	BC		

DIXIE INDUSTRIES
Chattanooga, TN

THESE DRAWINGS AND SPECIFICATIONS ARE THE PROPERTY OF DIXIE IND. AND SHALL NOT BE REPRODUCED OR COPIED OR USED AS BASIS FOR MANUFACTURE OR SALE OF EQUIPMENT OR DEVICES WITHOUT WRITTEN PERMISSION.

TITLE: RATCHET TURNBUCKLE
1" X 14" HW W/W

DATE	8/17/05	DWG NO.	PT-37655	PART NO.	37655	MATERIAL
SCALE	1 = 1	SIZE	A	SHEET	1	OF 1