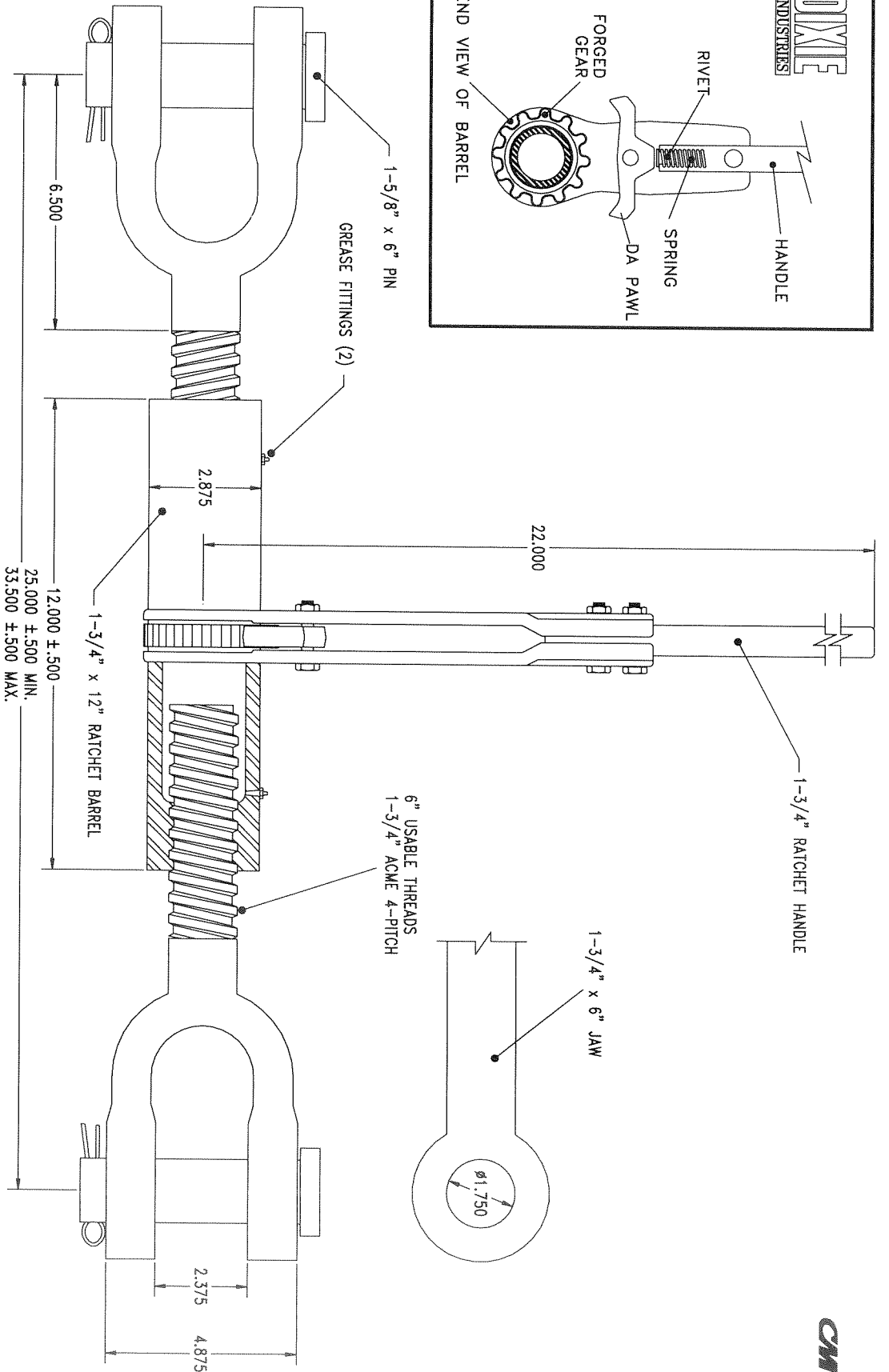
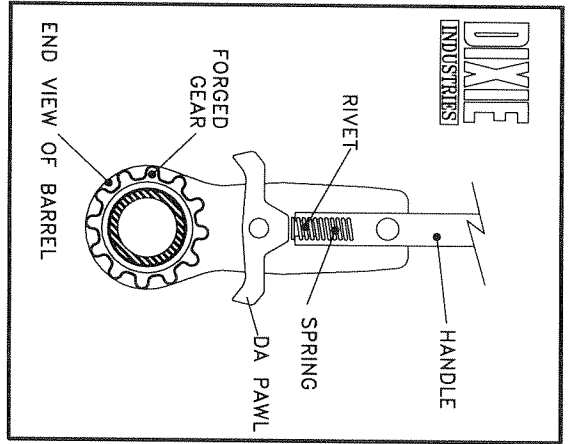


DIXIE
INDUSTRIES



NOTES:

(1), NOMINAL DIMENSIONS ±.04 INCHES

.....

.....

.....

DIMENSIONS ARE IN INCHES

REV	DESCRIPTION	DATE	DRAWN	APPR.	APPR.	SCALE	1 = 1	REV	A	SIZE	A	SHEET	1	OF	1
A	ORIGINAL DRAFT - PT39729	10/30/00	AT			10/30/2000	PT37859								
<p>THESE DRAWINGS AND SPECIFICATIONS ARE THE PROPERTY OF DIXIE INDUSTRIES. NO PARTS, INFORMATION, OR METHODS ARE TO BE REPRODUCED, COPIED, OR USED AS BASIS FOR MANUFACTURE OR SALE OF EQUIPMENT OR DEVICES WITHOUT WRITTEN PERMISSION.</p> <p>DIXIE INDUSTRIES Charlotte, NC</p> <p>TITLE: RATCHET ASSEMBLY 1-3/4" x 12" DA W/W /GF</p> <p>DATE: 10/30/2000 DWG NO: PT37859 PART NO: 37859 MATERIAL: _____</p>															

